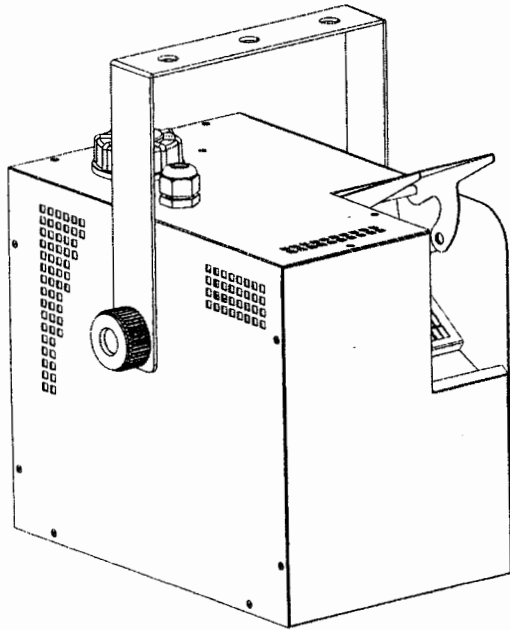




Professional Stage Haze Effect

Haze Machine 700W
User Manual



RoHS



CONFORMS TO
ANSI/UL STD. 99B
CERTIFIES TO
CAN/CSA STD.
C22.2 NO.106



www.lc-group.ca

INTRODUCTION:

LCG-700 Haze Machine

Little giant, with precise micro computer control.

LCG-700(700W) improves the circuit design and adds DMX digital monitor which makes operation easier and clearer. The digital monitor can control the wind force output and haze output with 5 gears. It has Optical-electronic fluid induction system so that the fluid pump would stop working when the fluid is insufficient. Haze wouldn't be produced until the fluid is added.

- ┆ ·2,400 CU Ft (76m³) per minute (approx.)
- ┆ ·Relay temperature controlled for constant temperature control and longer life
- ┆ ·Uniquely designed nozzle for reduced condensation build up in the pipes
- ┆ ·Easy to use digital display operation
- ┆ ·True constant haze output
- ┆ ·Variable output angle
- ┆ ·Low fluid indicator
- ┆ ·Timer output remote control included
- ┆ ·Easy to transport and portable
- ┆ ·Removable tank
- ┆ ·2-channel DMX (output level and fan speed)

PACKAGE CONTENTS:

Please check the contents to ensure that the product has been received in good Condition.

LCG-700 Haze Machine	× 1	User Manual	× 1 pc
Power Cord	× 1 pc	Remote Control	× 1pc

If you find any accessory is missing or the machine has arrived with any problems, please contact your local dealer at once. Do not try to fix this item yourself or you will lose the warranty. Please keep the original package and invoice for any possible replacement or returned demand.

RECOMMENDED FLUID:

For the LCG-700 haze machine we strongly recommend the following LCG heavy fog fluid which has been specifically formulated to perform best with any heater based haze machines.

To guarantee trouble-free operation the special "LCG-700 Haze-Fluid" must be used. Use of other liquids will void the manufacturer's warranty and can be dangerous to your health.

Set up:

1. Unpack the haze machine
2. Unscrew the top cap of the tank and remove to fill with the recommended haze fluid
3. Replace the bottle and screw the cap securely ensuring the pipe is fed down to the bottom of the bottle so a consistent flow of fluid is supplied to the machine
4. Connect the remote control
5. Connect the IEC mains plug and power up
6. Heat up time is usually between 2-3 minutes. Please ensure no button is pressed during the heat up time. When the machine is ready the LED light on the machine and remote control will illuminate
7. After heat up, please refer to page 5 "Operation for LCG-700"

CAUTION! TO PREVENT MORTAL ELECTRICAL RISK AND LONG LIFE OPERATION:

For your safety, please kindly pay attention to all of the warnings listed below:

- 1. Always plug in the power plug last and disconnect from the mains when the device is not in use or before cleaning
- 2. Do not install and operate the device in rain or extreme heat, moisture or dusty environments
- 3. This device is for indoor use only and in a dry environment
- 4. Do not switch on immediately but wait until it reaches to room temperature if the device has been exposed to drastic temperature fluctuations
- 5. Do not shake the device and avoid brute force when installing or operating
- 6. Do not use the device during thunderstorms and please disconnect the power
- 7. Do not use solvents or aggressive detergent to clean the device. Use a soft and clean cloth
- 8. Do not modify the device or the connected power cord without authorisation

Self-cleaning function:

After use, please don't turn off the machine immediately.

The machine has self-cleaning function, there has 3 different right operations:

1. If use dmx-512, please turn the haze output to zero/turn off haze output, then still let the power on about 80-90 seconds.
2. If use digital display control, please turn the "h" to "0", then still let the power on about 80-90 seconds.
3. If use timer remote, please turn the haze output to zero/turn off haze output, then still let the power on about 80-90 seconds.

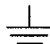
After this operation, the heater will be cleaned by air pump technology after use. At the same time, the machine will be still working for 30 seconds after you stop the working of machine, please note.

Then, you can turn off the power!

This is very important notice to maintain LCG-700 Haze machine!

CONNECT WITH POWER SUPPLY – THE GROUND WIRE MUST BE CONNECTED:

Use the plug to connect to the main power supply as follows:

Wire	Connection	Wire	Connection
Brown	Live		L
Blue	Neutral		N
Yellow /Cyan	Earth		

QUICK TROUBLE SHOOTING

If the unit is not functioning properly

1. Check if main power is on.
2. Check the fuse hasn't blown.
3. Check the unit isn't in DMX mode.
4. Check there is fluid in the tank and the pipe is pushed down to the bottom of the bottle
5. If there is blockage use distilled water or haze machine cleaning fluid

REPLACING FUSE

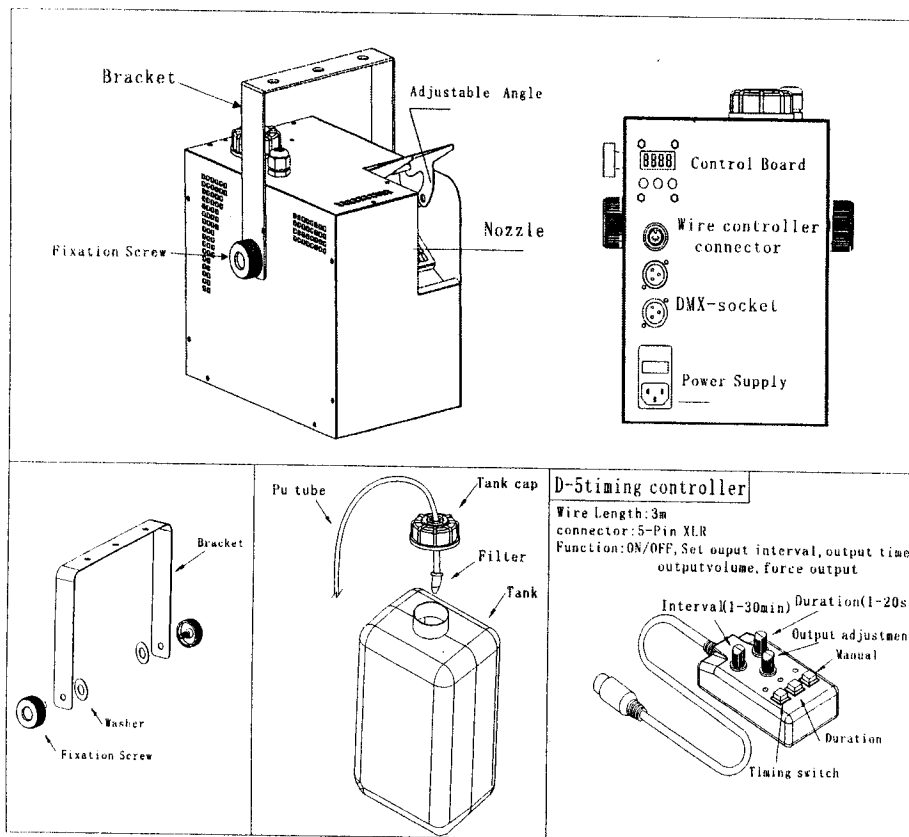
Disconnect from the main power supply first, then remove the fuse holder above the IEC Socket to reveal the fuse. Replace the correct fuse rating as stated on lighting or user guide. Then, lock the fuse holder cover back into place.

GENERAL MAINTENANCE

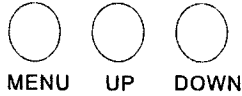
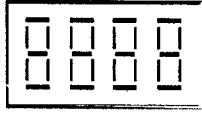
To maintain optimum performance and minimize wear, the item should be cleaned frequently. Usage and environment are contributing factors in determining frequency. As a general rule, fixtures should be cleaned after use to avoid dust build-up and blockages, which can result in poor performances, overheating and breakages. Be sure to power off fixture before conducting maintenance.

Unplug fixture from power. Use a vacuum or air compressor and a soft brush to remove dust collected on external vents and internal components. Clean the external case when the fixture is cold with a dry cloth or tissue, and drag dirt and grime to the outside case.

LAYOUT LCG-700



OPERATION FOR LCG-700



When you first turn on the Haze machine you should wait for around 2 minutes while the unit warms up. When completed you will have access to various options if the wired remote control is not connected

Press menu to scroll through the various options listed below. Use the up and down keys to set the secondary function.

Display	Function
d001-d512	DMX Address
h 0-5	Manual haze output 0=off, 1=low,5=high
F 0-5	Manual fan speed 1=slow, 5=high
Flash	Fluid-less protection, please add fluid !

F (Fan Speed) and h (Haze Output) are settings for continuous stand-alone operation and will override any remote control of the LCG-700

DMX

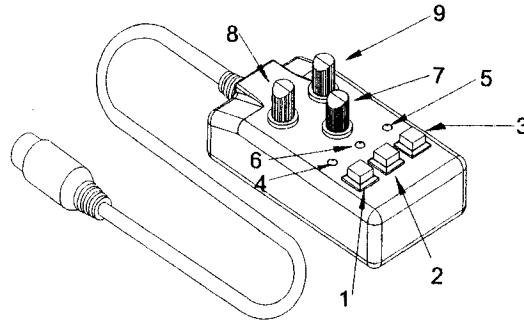
When in DMX mode there are two channels with the following function:

DMX channel	DMX Scale	Detail Function
Ch1	000-255	0%-100% Fan Speed
Ch 2	000-255	0%-100% HAZE OUTPUT

TIMER CONTROLLER

The timer controller can be used to control the LCG-700 remotely. Please note Fan Speed (F) and Haze Output (h) must be set to zero for the remote timer controller to operate.

Important notice !!!



1. Timer on/off button
2. Continuous output
3. Manual override button
4. Timer LED indicator (Illuminated Yellow when timer active)
5. Manual ready indicator (Illuminates Green when ready)
6. Power indicator (Illuminates red when power is on)
7. Adjust the amount of Haze released (between 0 – 100%)

NOTE: The below controls are only used when in timer mode

8. Adjust the interval gap between each release of Haze (between 0 – 30 Min approximately)
9. Adjust the duration the Haze / Haze is released at each interval (between 0 – 15 seconds approximately)

For best results select "continuous" and adjust output to achieve desired effect, note it can take around 30 seconds for the machine to produce the correct output.

If fluid-less protection on, please refill fluid into the tank, and reset the haze output to cancel the fluid-less protection.

If fluid-less protection is still working, please reset the haze output again until machine is working normally.
Reset: change the haze output by digital display, DMX, or wire remoter.

TECHNICAL SPECIFICATION:

Voltage :	AC110V-240V/ 50-60HZ
Power:	700W
Fuse:	250V/5A
Pre-heating time:	80-100 seconds
Working time:	200min/L(30%) 120min/L(100%)
Haze output:	3500Cu ft/min
Tank:	1.2 L
Micro computer control:	YES
Timer controller:	YES
Adjusting the size of haze density:	YES DMX 2
Adjust the wind speed:	YES DMX 1
Fluid-less protection:	YES
Digital display:	YES
Gross weight	8kg
Packaging(mm):	380*250*340

R &D CHINA for LC Group